

9. Maintenance

1. Clean the rain gauge once every 3 months as follows. Reference Figure 34.

Step 1: Make a note of the current rain totals by referencing the calibration screen (reference Section 6.5). You will need to re-enter these values after the calibration procedure is complete.

Step 2: Pour water into the rain collector to moisturize the dirt inside rain bucket.

Step 3: Use an approximately 3 inch (80 mm) long cotton swab, and push the cotton tip through the rain collector hole until it reaches the self emptying mechanism, and press until the mechanism no longer rotates.

Step 4: Rotate the cotton swab back and forth, removing dirt from the tipping mechanism and rain collector hole.

Step 5: Remove the cotton swab and flush with water to remove any remaining dirt.

Step 6: Re-enter the rain totals recorded in Step 1.

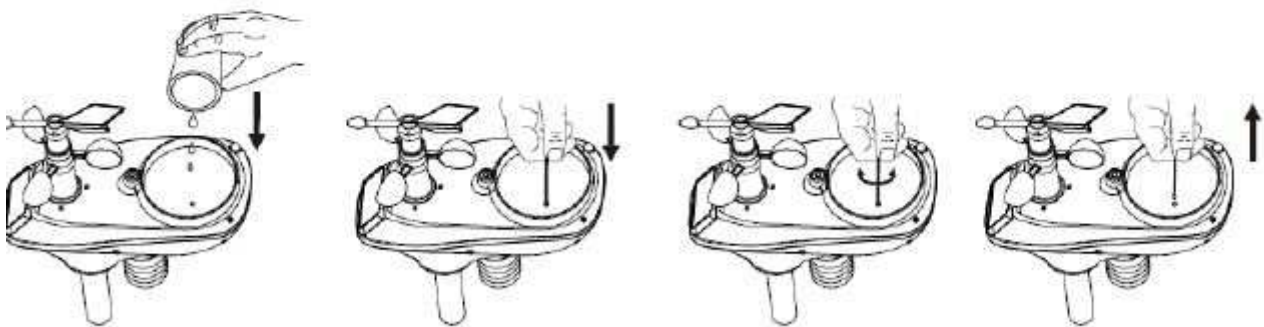


Figure 34

2. Clean the solar radiation sensor every 3 months with water and towel.
3. Replace rechargeable batteries every 2 to 3 years.

9.1 Advanced Rain Gauge Cleaning

If the rain gauge stops updating, it is possible for spiders and other insects to nest inside the sensor array housing and interfere with the rain gauge mechanism.

1. Remove the six screws on the bottom of the sensor array, as shown in Figure 35.
2. **CAREFULLY** separate the top housing from the bottom housing. They cannot be completely separated due to wires. **DO NOT STRESS THE WIRES.** Open the sensor housing slightly, like a clam shell.
3. Clean any debris and spider webs, as shown in Figure 36.

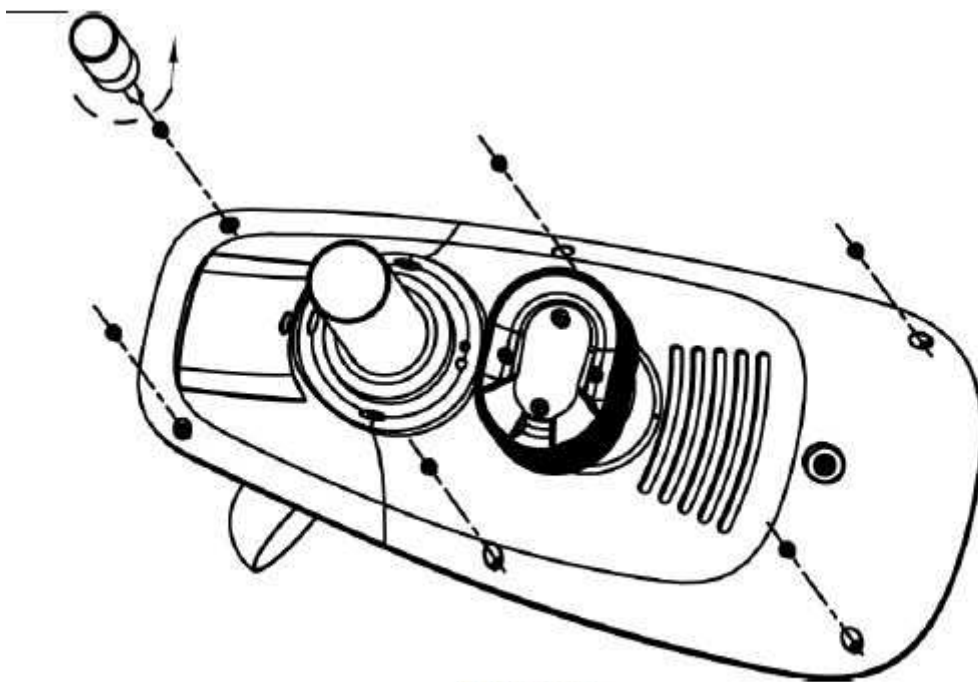
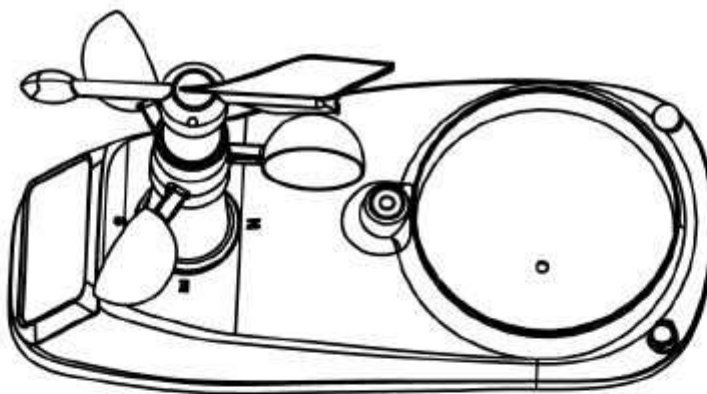


Figure 35



Do not stress wires

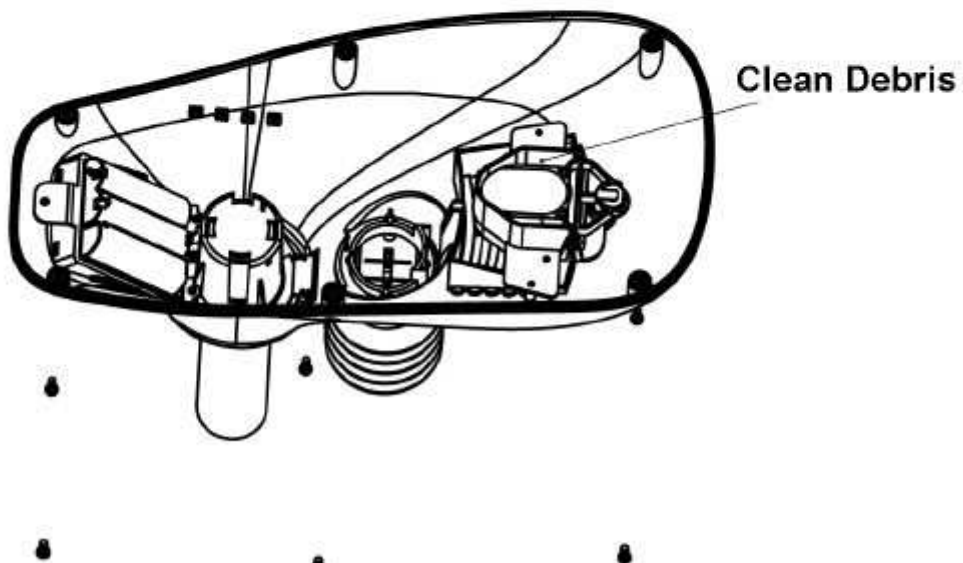


Figure 36